

**i-PULSE**



Base Machine for  
Next Generation Manufacturing Center  
Debut !!

**ALL YOU NEED  
JUST IN ONE UNIT**

# M20



■ Max PCB size (Std)

**L1,240 X  
W510mm**

■ Placement speed  
(6 heads)

**30,000CPH**

23,000CPH  
(IPC9850)

■ Applicable components

**01005 -  
120 X 90mm**

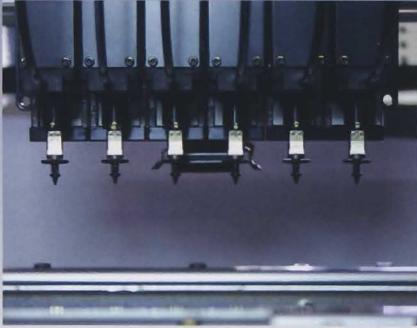
■ Feeder capacity

**144 lanes  
(8mm tape)**

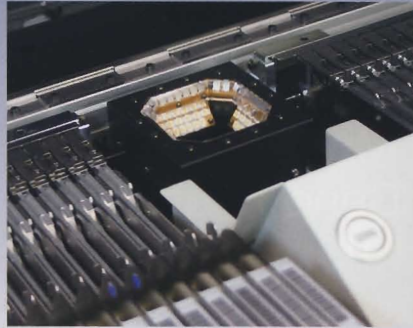
High-performance Base Machine  
Expansion capability of future hybrid functions  
for the next generation manufacturing

\*The photo shows the state with various options installed.

# M20 Features



New lightweight full-servo head  
(Optional 6-axis 2-theta head)



New fixed multi-scan camera



New feeder bank changer CFB (Option)

## Specifications

Board size (1 drive)	Min L50 x W30mm - Max L1240 x W510mm
Board size (2 drive) *1	Min L50 x W30mm - Max L640 x W510mm
Board size (3 drive) *1	Min L50 x W30mm - Max L540 x W510mm
Board thickness	0.4 - 4.8mm
Board flow direction	Left to right (Std)
Board transfer speed	Max 900mm/sec
Placement speed	
(4 heads + 1 theta) Opt. cond.	0.15sec/CHIP (24,000CPH)
(4 heads + 4 theta) Opt. cond.	0.15sec/CHIP (24,000CPH) *1
(6 heads + 2 theta) Opt. cond.	0.12sec/CHIP (30,000CPH) *1
(4 heads + 1 theta) IPC9850	19,000CPH
(4 heads + 4 theta) IPC9850	19,000CPH *1
(6 heads + 2 theta) IPC9850	23,000CPH *1
Placement accuracy A ( $\mu+3\sigma$ )	CHIP +/- 0.040mm
Placement accuracy B ( $\mu+3\sigma$ )	IC +/- 0.025mm
Placement angle	+/-180 degrees
Z axis control	AC servo motor
Theta axis control	AC servo motor
Component height	Max 30mm *2 (Pre-placed components: max 25mm)
Applicable components	01005 - 120x90mm, BGA, CSP, connector, etc.
Component package	8 - 56mm tape, stick, tray
Drawback check	Vacuum check and vision check
Screen language	Japanese, Chinese, Korean, English
Board positioning	Board grip unit, front reference, auto conveyor width
Component types	Max 144 types (8mm tape), 36 lanes x 4
Transfer height	900 +/- 20mm
Machine dimensions, weight	L1750xD1750xH1420mm, Approx. 1500kg
Power	3-phase 200/208/220/240/380/400/416/440V +/-10% (Transformer included), 50/60Hz
Max consumption, capacity	1.1kW, 8.3kVA
Air pressure, consumption	0.45Mpa, 50(4 heads) 75(6 heads) L/min A.N.R.

\*1: Optional item

\*2: Board thickness + component = max 30mm

## Options

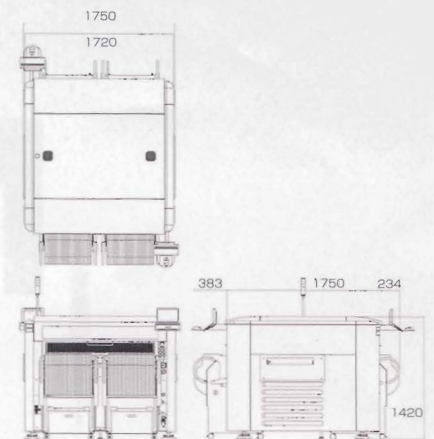
Rear feeder bank, Rear fixed multi-scan camera, Rear reference conveyor, 6 heads 2 theta, 4 heads 4 theta, Feeder bank changer (CFB), Changeable tray feeder (CTF), Buffer conveyor, Lead coplanarity sensor, UPS, Intelligent feeder function, Auto change-over function, Offline software

Distributor

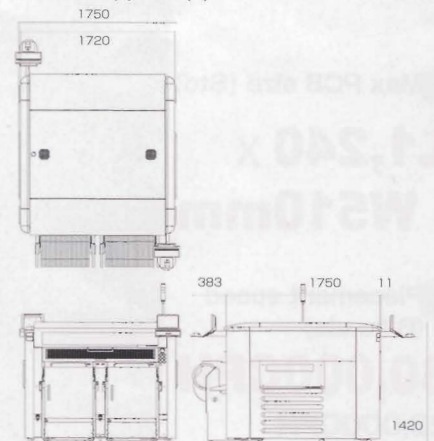
# M20

## External dimensions

M20+CFB(F)+CFB(R)



M20+CFB(F)+CTF(R)



**i-PULSE**

**i-PULSE CO., LTD.**

1-9-3 Shinmiyakoda, Kita-ku, Hamamatsu,  
Shizuoka 431-2103, Japan

Tel: 81-53-484-1876 Fax: 81-53-484-1870

www.ipulse.co.jp