

i-PULSE

精密工房
アイパルス

NEW

Base Machine for
Next Generation Manufacturing Center
Debut !!

**ALL YOU NEED
JUST IN ONE UNIT**

M10



■ Max PCB size (Std)

**L740 X
W510mm**

■ Placement speed
(6 heads)

30,000CPH
23,000CPH (IPC9850)

■ Machine dimensions

**Width
1,250mm**

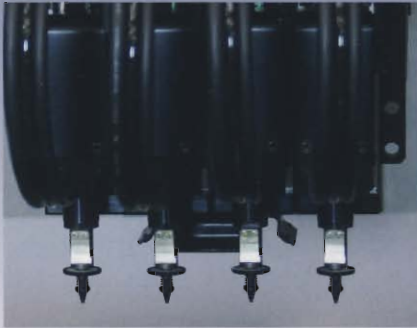
■ Applicable components

**01005 -
120 X 90mm**

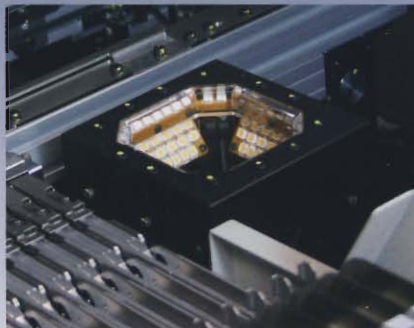
Entry-level Base Machine
Cost effective and space saving
The same flexibility and productivity as M20

*The photo shows the state with various options installed.

M10 Features



New lightweight full-servo head
(Optional 4-axis 4-theta head)



New fixed multi-scan camera



New feeder bank changer CFB (Option)

Specifications

M10

Board size (1 drive)	Min L50xW30mm - Max L740xW510mm
Board size (2 drive) *1	Min L50xW30mm - Max L540(460 *2)xW510mm
Board thickness	0.4 - 4.8mm
Board flow direction	Left to right (Std)
Board transfer speed	Max 900mm/sec
Placement speed	
(4 heads + 1 theta) Opt. Cond.	0.15sec/CHIP (24,000CPH)
(4 heads + 4 theta) Opt. Cond.	0.15sec/CHIP (24,000CPH) *1
(6 heads + 2 theta) Opt. Cond.	0.12sec/CHIP (30,000CPH) *1
(4 heads + 1 theta) IPC9850	19,000CPH
(4 heads + 4 theta) IPC9850	19,000CPH *1
(6 heads + 2 theta) IPC9850	23,000CPH *1
Placement accuracy A ($\mu+3\sigma$)	CHIP +/- 0.040mm
Placement accuracy B ($\mu+3\sigma$)	IC +/- 0.025mm
Placement angle	+/- 180 degrees
Z axis control	AC servo motor
Theta axis control	AC servo motor
Component height	Max 30mm *3 (Pre-placed components: max 25mm)
Applicable components	01005 - 120x90mm, BGA, CSP, connector, etc.
Component package	8 - 56mm tape, stick, tray
Drawback check	Vacuum check and vision check
Screen language	Japanese, Chinese, Korean, English
Board positioning	Board grip unit, front reference, auto conveyor width
Component types	Max 72 types (8mm tape), 36 lanes x 2
Transfer height	900 +/- 20mm
Machine dimensions, weight	L1250xD1750xH1420mm, Approx. 1300kg
Power	3-phase 200/208/220/240/380/400/416/440V +/- 10% (Transformer included), 50/60Hz
Max consumption, capacity	0.77kW, 8.3kVA
Air pressure, consumption	0.45Mpa, 50(4 heads) 75(6heads) L/min A.N.R.

*1: Optional item *2: Max 460mm with buffer function
*3: Board thickness + component = max 30mm

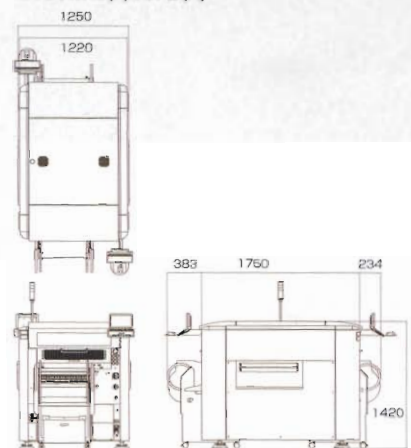
Options

Rear feeder bank, Rear fixed multi-scan camera, Rear reference conveyor, 6 heads 2 theta, 4 heads 4 theta, Feeder bank changer (CFB), Changeable tray feeder (CTF), Buffer conveyor, Lead coplanarity sensor, UPS, Intelligent feeder function, Auto change-over function, Offline software

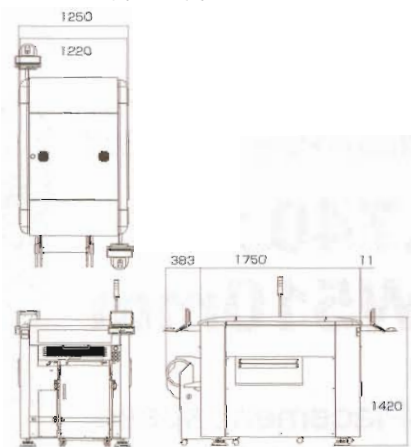
Distributor

External dimensions

M10+CFB(F)+CFB(R)



M10+CFB(F)+CTF(R)



I-PULSE

I-PULSE CO., LTD.

1-9-3 Shinmiyakoda, Kita-ku, Hamamatsu,
Shizuoka 431-2103, Japan
Tel: 81-53-484-1876 Fax: 81-53-484-1870
www.ipulse.co.jp